

# KFM Classic Blower Performance Table

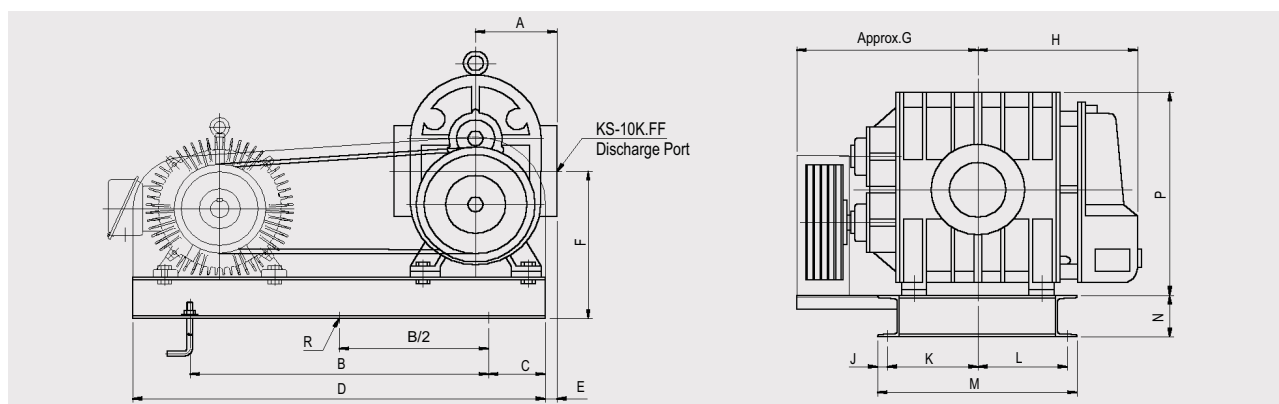
## HP, SP-Type, Rotary Blower Performance Table

TYPE	BORE	R.P.M	Suction Air Volume Qs(m <sup>3</sup> /min) & Required Shaft Power La(KW)at Each Suction Pressure																	
			0.1kgf/cm <sup>2</sup>		0.2kgf/cm <sup>2</sup>		0.3kgf/cm <sup>2</sup>		0.4kgf/cm <sup>2</sup>		0.5kgf/cm <sup>2</sup>		0.6kgf/cm <sup>2</sup>		0.7kgf/cm <sup>2</sup>		0.8kgf/cm <sup>2</sup>		0.9kgf/cm <sup>2</sup>	
			Qs	La	Qs	La	Qs	La	Qs	La	Qs	La	Qs	La	Qs	La	Qs	La	Qs	La
SP050	50A	1450	1.74	1.0	1.52	1.4	1.36	1.8	1.21	2.2	1.06	2.6	0.94	3.0	0.82	3.5				
		1750	2.25	1.1	2.03	1.6	1.87	2.1	1.72	2.6	1.57	3.1	1.45	3.6	1.35	4.1				
		2000	2.68	1.3	2.45	1.9	2.29	2.4	2.15	3.0	2.00	3.5	1.88	4.0	1.78	4.6				
SP065	65A	1450	2.35	1.2	2.02	1.7	1.78	2.3	1.57	2.8	1.40	3.4	1.26	4.1	1.15	4.9				
		1750	3.04	1.4	2.70	2.0	2.46	2.6	2.25	3.3	2.08	4.0	1.94	4.8	1.82	5.9				
		2000	3.60	1.5	3.26	2.2	3.02	2.9	2.81	3.7	2.64	4.4	2.50	5.2	2.39	6.1				
HP080 SP080	80A	1150	3.72	1.7	3.31	2.5	2.96	3.3	2.67	4.0	2.37	4.8	2.14	5.6	1.94	6.5				
		1450	5.09	1.9	4.68	3.0	4.33	4.0	4.04	5.1	3.75	6.2	3.52	7.3	3.34	8.4				
		1750	6.46	2.3	60.5	3.6	5.70	4.8	5.41	6.1	5.12	7.4	4.88	8.7	4.71	10.0				
HP100 SP100	100A	1150	5.01	2.0	4.60	3.1	4.25	4.1	3.94	5.2	3.67	6.3	3.43	7.4	3.22	8.5	3.04	9.6		
		1450	6.71	2.4	6.31	3.8	5.96	5.1	5.65	6.4	5.37	7.8	5.13	9.2	4.90	10.7	4.72	12.2		
		1750	8.41	2.8	8.01	4.5	7.66	6.2	7.35	7.9	7.07	9.5	6.83	11.2	6.63	12.9	6.42	14.6		
HP125 SP125	125A	1150	12.95	4.1	12.18	6.6	11.51	9.1	10.93	11.6	10.55	14.1	10.07	16.6	9.68	19.1	9.40	22.0	9.20	25.5
		1450	17.0	5.0	16.2	8.1	15.6	11.2	15.0	14.4	14.5	17.5	14.1	21.0	13.7	24.0	13.4	27.5	13.2	31.0
		1750	21.0	6.0	20.2	9.7	19.6	13.4	19.0	17.1	18.5	21.1	18.1	25.1	17.8	29.1	17.5	33.5	17.2	38.0
HP150 SP150	150A	1150	21.7	6.1	20.6	10.1	19.6	14.2	18.9	18.2	18.2	23.0	17.5	27.0	17.0	34.0	16.4	38.0	16.0	43.0
		1450	28.0	7.5	26.9	12.5	26.0	17.6	25.3	23.0	24.6	28.0	24.0	33.0	23.4	40.0	22.8	48.0	22.4	57.0
		1750	34.8	9.8	33.7	16.3	32.8	23.0	32.1	29.0	31.4	35.0	30.7	43.0	30.2	49.0	29.7	54.0	29.2	66.0
HP200S SP200S	200A(S) 150A(D)	970	39.3	10.8	38.3	18.2	37.2	26	36.3	33	35.4	41	34.5	48	33.8	55	33.2	63	32.6	75
		1150	46.6	12.2	45.5	21	44.1	30	43.0	39	41.9	48	40.9	60	40.1	69	39.5	76	39.0	83
		1450	60.2	15.6	59.1	27	57.7	39	56.6	51	55.6	62	54.6	74	53.8	85	53.2	97	52.6	110
HP200L SP200L	200A	970	51.6	13.2	50.0	23	48.6	32	47.3	43	46.3	52	45.2	62	44.3	72	43.4	83	42.6	95
		1150	62.4	15.6	60.7	27	59.4	39	58.1	48	57.1	58	56.1	69	55.1	80	54.3	93	53.5	108
		1450	79.6	19	77.8	33	76.3	48	75.0	62	73.8	77	72.7	91	71.7	105	70.7	130	69.8	137
HP250 SP250	250A	730	69.5	16	66.9	30	65.0	43	63.2	56	61.7	69	60.2	83	58.9	96	57.6	109	56.3	122
		880	85.4	20	82.9	36	80.9	52	49.1	68	77.6	84	76.2	100	74.8	116	73.5	132	72.2	148
		980	96.1	23	93.5	41	91.5	59	89.7	77	88.3	95	86.8	112	85.4	130	84.1	148	82.8	165
SP300	300A	730	103.8	25	99.9	45	97.0	64	94.6	83	92.4	103	90.5	122	88.9	141	87.5	160		
		880	127.2	29	123.4	52	120.4	75	118.0	99	115.8	122	114.0	145	112.3	168	110.9	191		
		980	142.8	33	139.0	58	136.0	84	133.6	110	131.5	136	129.6	160	127.9	187	126.5	213		

- At suction state is, pressure is 760mmHg, temperature 20°C, relative humidity 75% specific weight is 1.2kg/m<sup>3</sup>
- The air volume or pressure which is not in the performance table can be settled by the control of R,P,M.
- The real using motor out put is to be preferred blower shaft power of La×1.2(shaft power : La)
- The tolerance on all air volumes is ±5% as per KS B 6351.
- When the design pressure is 0.6kg/cm<sup>2</sup> and above, shall be applied side cover water cooling type on the blower S125~500



## HP, SP-Type Outline Drawing



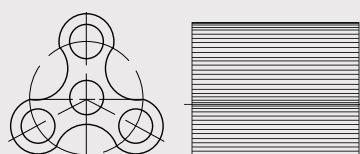
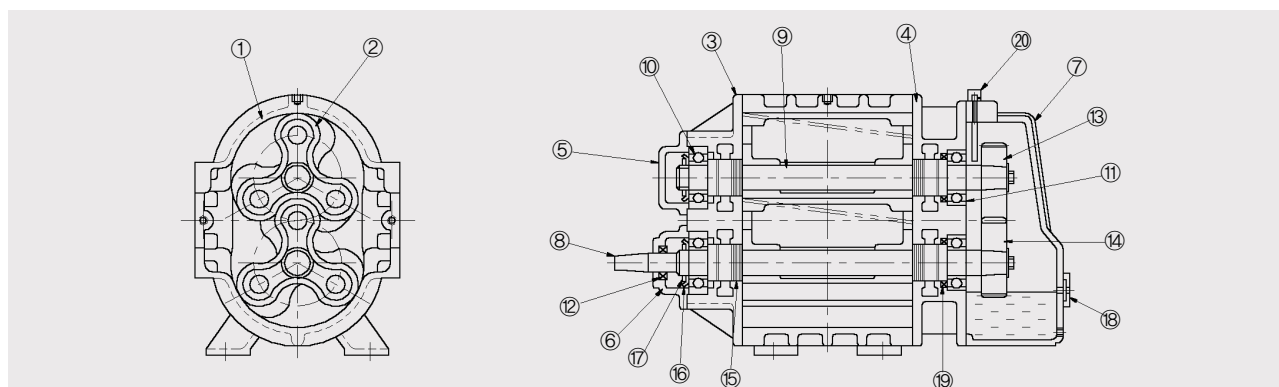
(unit : mm)

TYPE	DIM	A	B	C	D	E	F	G	H	J	K	L	M	N	P	Q
SP 050		110	560	55	670	—	215	270	200	20	250	100	390	75	270	4-φ15
SP 065		110	560	55	670	—	215	270	220	20	250	100	390	75	270	4-φ15
SP,HP 080		140	600	150	900	5	305	355	275	25	110	70	230	100	380	4-φ18
SP,HP 100		140	600	150	900	5	305	360	295	25	90	120	260	100	380	4-φ18
SP,HP 125		195	800	200	1200	15	410	440	405	30	185	95	320	125	535	4-φ23
SP,HP 150		210	800	200	1200	30	410	525	485	30	240	180	480	125	535	4-φ23
SP,HP 200S		260	1000	250	1500	15	540	540	495	35	245	215	530	150	740	4-φ23
SP,HP 200L		285	1000	250	1500	40	540	640	565	35	300	250	520	150	740	4-φ23
SP 250		330	1500	200	1900	10	710	750	605	40	385	245	710	200	970	6-φ23
SP 300		380	1500	200	1900	70	710	850	605	40	460	400	940	200	970	6-φ23

• Model SL050, SL065 is KS 5K.FF FLANGE.

• The dimension of this catalog may be changed without prior notice in order to improve the performance of the product.

## HP, SP-Type Sectional Drawing



SPUR TYPE ROTOR(SP TYPE)

MARK	DESCRIPTION	MAT'L	Q'TY	MARK	DESCRIPTION	MAT'L	Q'TY
1	CASING	GC200	1EA	11	BALL BEARING	STB	2EA
2	ROTOR	GC200	2EA	12	OIL SEAL	SILICON	1EA
3	SIDE COVER(P/S)	GC200	1EA	13	DRIVING GEAR	SCM415	1EA
4	SIDE COVER(G/S)	GC200	1EA	14	DRIVEN GEAR	SCM415	1EA
5	B/R PUSH COVER	GC200	1EA	15	LABYRINTH	SM45C	4EA
6	B/R PUSH COVER	GC200	1EA	16	LOCK WASHER	SS400	2EA
7	GEAR COVER	GC200	1EA	17	LOCK NUT	SM30C	2EA
8	DRIVING SHAFT	SM45C	1EA	18	OIL GAUGE	ACRYL	1EA
9	DRIVEN SHAFT	SM45C	1EA	19	OIL SEAL	SILICON	2EA
10	BALL BEARING	STB	2EA	20	AIR VENT	BC6	1EA